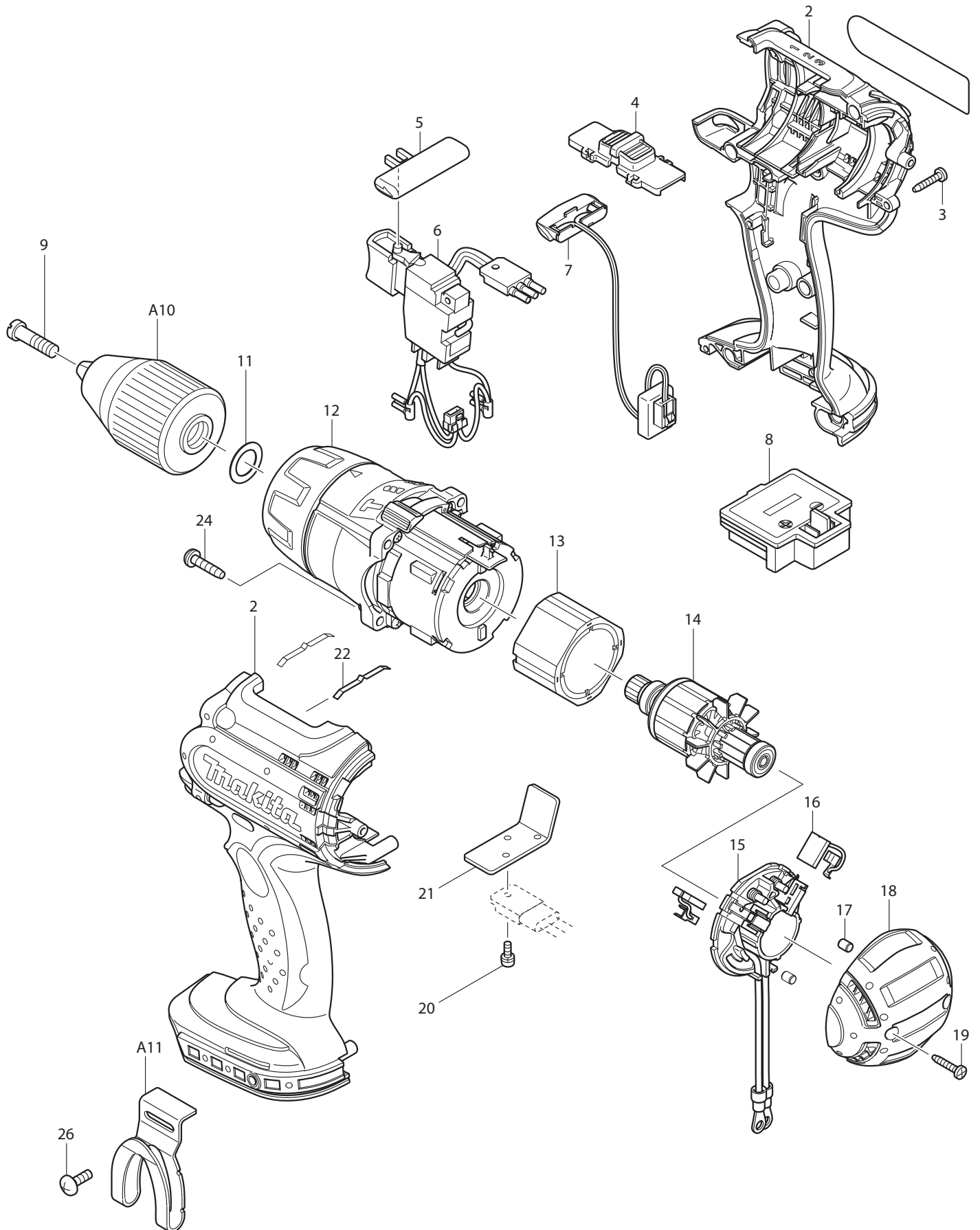




09 - 2008

BHP451

18V 1/2" PERCUSSION DRIVER DRILL



Item No	Type	Ref	Part No	Description	Qty	Unit
2	1		188031-0	* HOUSING SET (TYPE 1-2)	1	SET
	3		187142-8	* HOUSING SET (TYPE 3)	1	SET
3			266130-9	TAPPING SCREW BIND PT 3X16	8	PC.
4	2		125435-5	* SPEED CHANGE LEVER ASS'Y	1	PC.
		INC.	233438-6	* COMPRESSION SPRING 4	2	PC.
5			419250-0	F/R CHANGE LEVER	1	PC.
6	1		650573-9	* SWITCH TG553FSB-4 (TYPE 1-2)	1	PC.
	3		650653-1	* SWITCH TG553FSB-4B (TYPE 3)	1	PC.
7			631692-0	LIGHT CIRCUIT	1	PC.
8	1		643812-4	* TERMINAL, BLACK	1	PC.
	2		643838-6	* TERMINAL	1	PC.
	3		643859-8	* TERMINAL	1	PC.
9			251468-5	- FLAT HEAD SCREW M6X22	1	PC.
11			253798-0	FLAT WASHER 13	1	PC.
12	2		125430-5	* GEAR ASS'Y	1	PC.
		INC.	419558-2	SPEED CHANGE RING	1	PC.
		INC.	268199-9	PIN 1.4	2	PC.
		INC.	450385-8	CHANGE LEVER	1	PC.
13			638425-4	YOKE UNIT	1	PC.
14			619165-3	ARMATURE	1	PC.
15			638431-9	BRUSH HOLDER COMPLETE	1	PC.
16	1		194159-4	CARBON BRUSH CB-436, 2PCS/SET	1	SET
	2		194427-5	CARBON BRUSH CB-440, 2PCS/SET 2PC/SET W/O ORIGIN	1	SET
	3		195021-6	CARBON BRUSH CB-440 2PC/SET, W/ ORIGIN	1	SET
17			263032-0	RUBBER PIN 4	2	PC.
18	1		419249-5	REAR COVER - N/L/A	1	PC.
	2		419642-3	REAR COVER	1	PC.
19			266130-9	TAPPING SCREW BIND PT 3X16	2	PC.
20			911006-2	PAN HEAD SCREW M3X8	1	PC.
21			689145-3	HEATSINK	1	PC.
22			232220-0	LEAF SPRING	2	PC.
24			266045-0	TAPPING SCREW 4X20	4	PC.
26			251314-2	+ SCREW M4X12 (F/HOOK)	1	PC.
100			652045-0	+ P.H.SCREW M3.5X5 (ENDBELL) (F/SWITCH)	1	PC.
ACCESSORIES		- See catalogue or visit www.makita.ca for more optional accessories -				
A01			122576-8	STOPPER POLE ASS'Y	1	PC.
		INC.	286226-0	CAP 20	1	PC.
		INC.	322223-3	DEPTH ROD	1	PC.
A02			122750-8	GRIP ASS'Y	1	PC.
		INC.	154835-2	GRIP36 COMPLETE	1	PC.
		INC.	251812-6	SCREW M5X10	1	PC.
		INC.	266349-0	SQUARE BOLT M8X50	1	PC.
		INC.	345463-6	GRIP SPRING 60	1	PC.
		INC.	418768-8	GRIP BASE	1	PC.
		INC.	931202-6	HEX. NUT M5	1	PC.
A03	1		419276-2	BIT HOLDER	1	PC.
	2		452947-8	BIT HOLDER	1	PC.
A04	1		DC18RA	CHARGER DC18RA	1	PC.
	2		DC18RC	CHARGER DC18RC	1	PC.
			DC18SD	CHARGER DC18SD	1	PC.
			DC18SE	12V AUTOMOTIVE CHARGER DC18SE	1	PC.
			DC18RAKIT	CHARGER + BATTERY SET (DC18RA + BL1830)	1	SET
A05			194205-3	18V LI-ION BATTERY BL1830	1	PC.
			194230-4	18V LI-ION BATTERY BL1830 (3.0AH), 2/PK	1	SET
			194288-3	18V LI-ION BATTERY BL1830 (3.0AH), 10/PK	1	SET
A06			784637-8	+/- BIT 2-45	2	PC.

Item No	Type	Ref	Part No	Description	Qty	Unit
A07	1		824754-3	PLASTIC CARRYING CASE (W/O SPONGE)	1	PC.
		INC.	419216-0	HANDLE	1	PC.
		INC.	417724-5	LATCH	2	PC.
		INC.	419268-1A	PLASTIC CASE LID, TAB TYPE (HOOK TYPE - N/L/A)	1	PC.
		INC.	419269-9	PLATE	5	PC.
		INC.	324667-3	SHAFT	1	PC.
	2		140354-4	PLASTIC CARRYING CASE (W /SPONGE)	1	PC.
		INC.	419216-0	HANDLE	1	PC.
		INC.	417724-5	LATCH	2	PC.
		INC.	419268-1A	PLASTIC CASE LID, TAB TYPE (HOOK TYPE - N/L/A)	1	PC.
		INC.	419269-9	PLATE	5	PC.
		INC.	324667-3	SHAFT	1	PC.
A08			194649-7	BATTERY PROTECTOR (F/BL1430,BL1830)	1	PC.
A09			450128-8	BATTERY COVER (F/LI-ION)	1	PC.
A10			763191-5	1/2" KEYLESS DRILL CHUCK	1	PC.
A11	1		324553-8	* HOOK - N/L/A	1	PC.
	2		324705-1	* HOOK F/ BL1430, BL1830	1	PC.
	3		346449-3	* HOOK F/ BL1430, BL1830	1	PC.

SERVICE CHANGES

1. Changes on Speed Change Lever Assy and Gear Assy

Item No.	Description	Type 1	Type 2
4	Speed Change Lever Assy	125316-3	125435-5
12	Gear Assy	125317-1	125430-5

Above parts are completely interchangeable as a set.

2. Changes on Switch, Terminal and Housing Set

(T/I# 91055)

Item No.	Description	Type 1	Type 2	Type 3
2	Housing Set		188031-0	187142-8
6	Switch		650573-9	650653-1
8	Terminal	643812-4	643838-6	643859-8

Above parts are completely interchangeable as a set.

SERVICE NOTE:

- Use new parts for repair of the model manufactured on or after May 2011 with using Yellow lead wire between Switch and Terminal.
- Use current parts for repair of the model manufactured before May 2011 without using Yellow lead wire between Switch and Terminal.

* See *Technical Information No. 91055 for Wiring changes.*

3. Changes on Hook

(T/I# 98407)

Item No.	Description	Type 2	Type 3
A11	HOOK	324705-1	346449-3

Width has been changed wide size to narrow size

